

Microsoft Teams Rooms System for Extra-Large Room

Yealink MVC series are native and easy-to-use video conferencing solutions specially designed for Microsoft Teams rooms. The MVC series provides a full-scene video conference solution to cover all of the meeting rooms from large to small. According to the unique characteristics of the video conferencing room, a high-performance mini-PC is specially released. In the design of mini-PC, it takes into account both aesthetics and practicability, that fully integrating the cable management with itself to provide a flexible and reliable deployment solution for any meeting room. The MVC series features the native Microsoft Teams-tailored user interface that is easy to be operated with close-to-zero learning curve, and you just walk into the meeting room and start your scheduled Teams or Skype for Business meeting with one-touch join. Yealink MVC960 includes two UVC86 USB PTZ cameras with 12x optical zoom and it provides you with a multi-camera solution that supports camera layout adjustment to meet the requirements of extra-large meeting rooms.



One Cable Technology



Multiple Cameras



Yealink Camera Control Plug-in



Camera Layout Adjustment



Wireless Content Sharing



Device Management



Key Features and Benefits

Native Microsoft Teams-tailored user interface, smooth conference experience

Native Microsoft Teams-tailored user interface offers a one-touch meeting join. Designed with the idea of multi-function all-in-one, the MTouch II touch panel allows you easily perform call control, camera control, content sharing and other functions. At the same time, MTouch II has a built-in Human Motion Sensor that the conference system can be automatically waken up and you can immediately start the conference.

Multi-camera solution, support camera layout

Yealink AVHub can be used with multiple UVC86s to provide a multi-camera solution with the feature of camera, and users can flexibly switch the camera layouts as needed. The UVC86 camera supports 4K UHD video resolution and is equipped with 12x optical zoom to provide clear and lossless video images.

Simple to deploy, easy to use

With the VCH port, MCore is specially designed for the video meeting rooms that the deployment can be easily extended. At the same time, its all-in-one design with the feature of cable management ensure the stability of the wire connection, and the most appropriate deployment can be achieved according to the layout of the meeting room. One CAT5e is totally enough to connect the TV area and the conference table area and to complete the data transmission and power supply, no additional power supply or extension cable is needed, which not only simplifying the deployment but also effectively reducing deployment costs.

Manage your devices remotely

This solution supports Yealink Device Management Platform/Cloud Service, you can flawlessly manage, monitor, configure, update and diagnose all Yealink audio and video devices peripherals on this platform remotely.

Package Content

- MCore Mini-PC
- MTouch II touch panel
- AVHub
- 2 x UVC86 USB PTZ camera
- 2 x WPP20 wireless presentation pod

Preload

- Windows 10 IoT Enterprise X64
- Windows 10 IoT Enterprise License
- Microsoft Teams Rooms App, support Skype for Business on-premise/online and Teams meetings
- Yealink RoomConnect

MCore Mini-PC

- 8th-gen Intel® QUAD-CORE i5
- Memory: 8GB (2 x 4GB)
- Storage: 128GB SSD
- 2 x HDMI video output with CEC supported
- Bluetooth and Wi-Fi
- 1 x Yealink VCH port (RJ45), connect to MTouch II
- 4 x USB3.0 Type-A
- 1 x 10/100/1000M Ethernet port
- 1 x Power port
- 1 x Security lock slot
- Integrated cable management

MTouch II touch panel

- 8-inch IPS screen
- 1280 x 800 resolution
- 10-point capacitive touch screen
- 3.5mm headset jack
- Human Motion Sensor
- Angle adjustable bracket (28° ~ 50°)
- 1080P/30FPS FHD for sharing
- Support wired and wireless content sharing
- Built-in Wi-Fi AP for Yealink wireless presentation device
- HDMI/USB-C video input

AVHub

- 1 x USB-A Port
- 2 x USB-B Port
- 1 x Codec Port
- 7 x VCH Port (RJ-45)
- 2 x RCA In Port
- 2 x RCA Out Port
- 1 x 6.3mm Line in Port
- 1 x 6.3mm Line out Port
- 1 x Power Supply Port

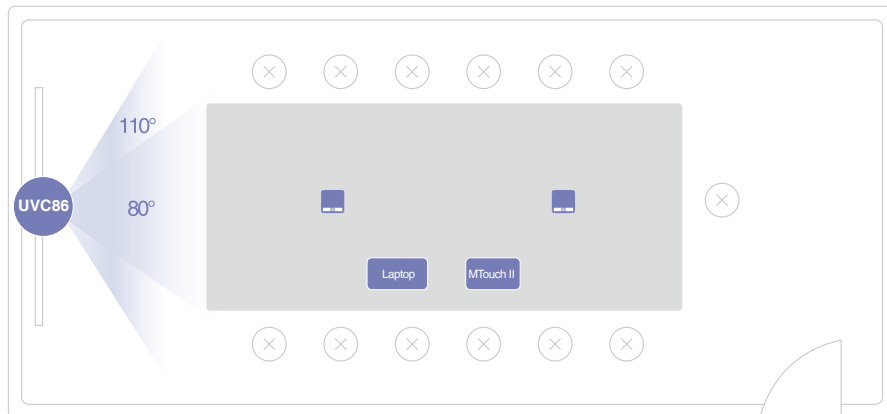
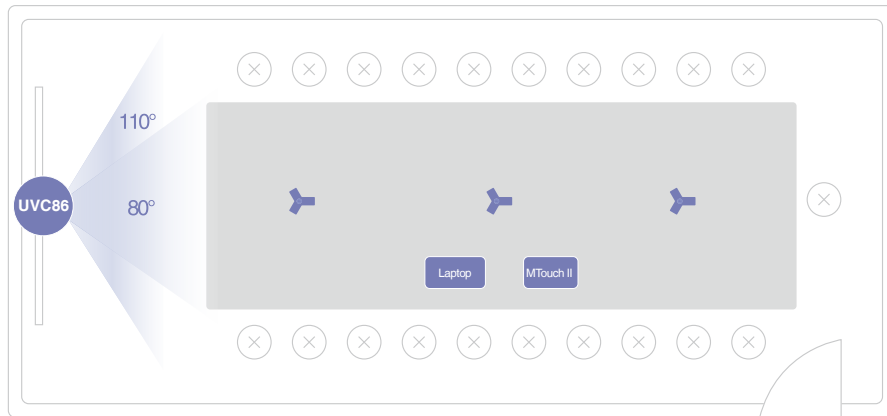
UVC86 USB PTZ Camera

- 800MP, Sony Sensor
- PTZ Camera:
 - 90° DFOV, 81° HFOV, 50° VFOV
 - 20.4 x HD zoom (12x optical, 1.7x digital)
 - Pan: ±100°, Tilt: +40°, -90°
 - 9 Camera Presets
- Panoramic Camera:
 - 120° DFOV, 110° HFOV, 78° VFOV
 - Manual Tilt: ± 9°
- 1 x USB3.0 Type-B port
- 1 x USB2.0 Type-A port
- 1 x Yealink VCH port (RJ45)
- 1 x Power Port
- 1 x HDMI Out Port
- 1 x Security lock slot
- 1 x Reset slot

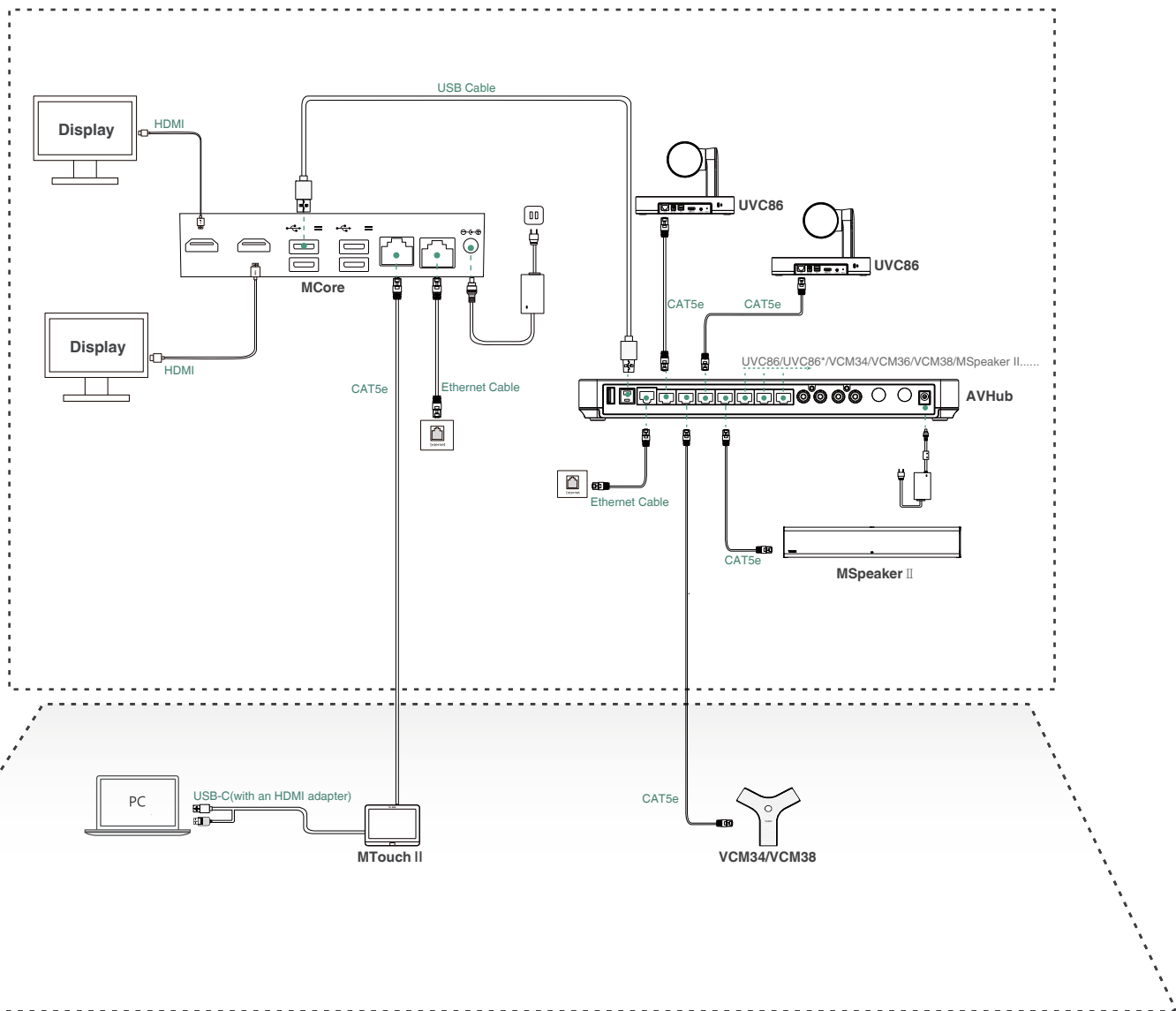
Package Features

- N.W/CTN: 12.1Kg
- G.W/CTN: 13.8Kg
- Carton Meas: 935mm x 413mm x 312mm

Scene Graph in a Conference Room



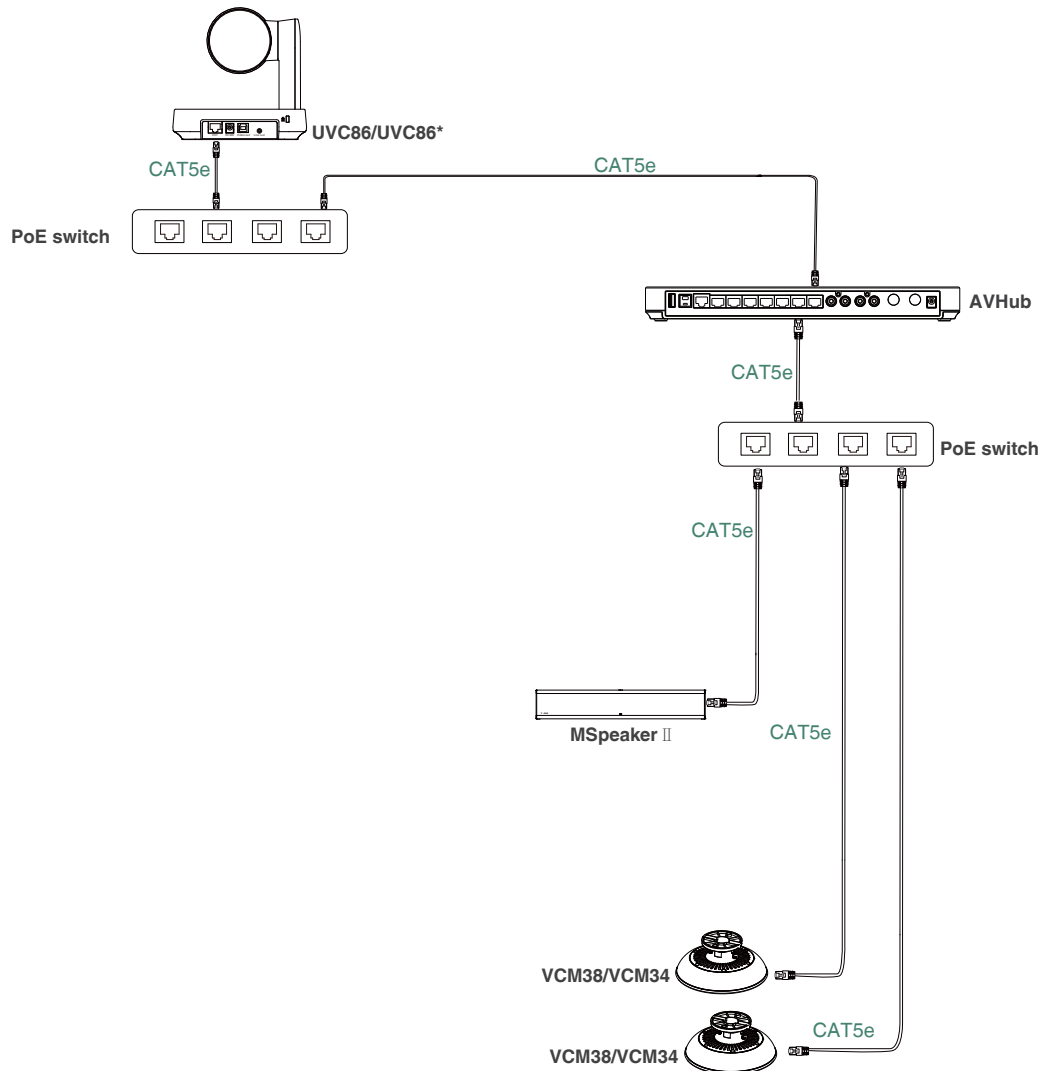
Connection



- 💡 Do not connect the switch to the Internet, otherwise it will cause network abnormalities.
- 💡 The switch and ethernet cables should be purchased separately.
- 💡 When starting up the system for the first time, you need to connect a mouse to complete the initial configuration.
We recommend using the wireless mouse and keyboard kit.
- 💡 For more information about the installation and deployment of accessories (for example, the installation of MCore package or the AVHub), refer to the Quick Start Guide of corresponding accessory.

Optional device connection

💡 UVC86* supports in March 2022.



About Yealink

Yealink (Stock Code: 300628) is a global brand that specializes in video conferencing, voice communications and collaboration solutions with best-in-class quality, innovative technology and user-friendly experience. As one of the best providers in more than 140 countries and regions, Yealink ranks No.1 in the global market share of SIP phone shipments (Global IP Desktop Phone Growth Excellence Leadership Award Report, Frost & Sullivan, 2019).

Copyright

Copyright © 2021 YEALINK(XIAMEN) NETWORK TECHNOLOGY CO., LTD.

All rights reserved. No parts of this publication may be reproduced or transmitted in any form or by any means, electronic or mechanical, photocopying, recording, or otherwise, for any purpose, without the express written permission of Yealink(Xiamen) Network Technology CO., LTD.

Technical Support

Visit Yealink WIKI (<http://support.yealink.com/>) for firmware downloads, product documents, FAQ, and more. For better service, we sincerely recommend you to use Yealink Ticketing system (<https://ticket.yealink.com>) to submit all your technical issues.



YEALINK(XIAMEN) NETWORK TECHNOLOGY CO.,LTD.

Web: www.yealink.com

Addr: No.1 Ling-Xia North Road, High Tech Park, Huli District, Xiamen, Fujian, P.R. China

Copyright©2022 Yealink Inc. All right reserved.